

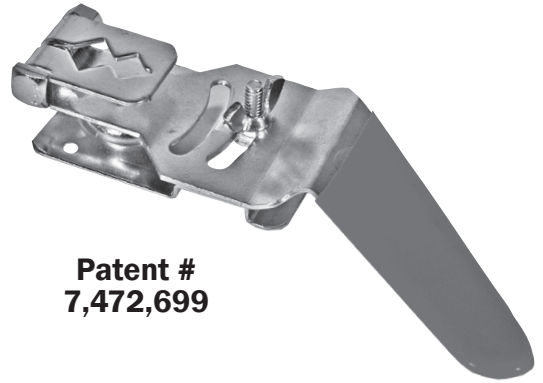
SUBMITTAL RECORD

JOB _____
 LOCATION _____
 SUBMITTED TO _____
 SUBMITTAL PREPARED BY _____
 APPROVED BY _____
 DATE _____

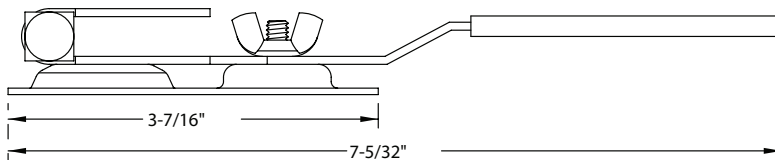
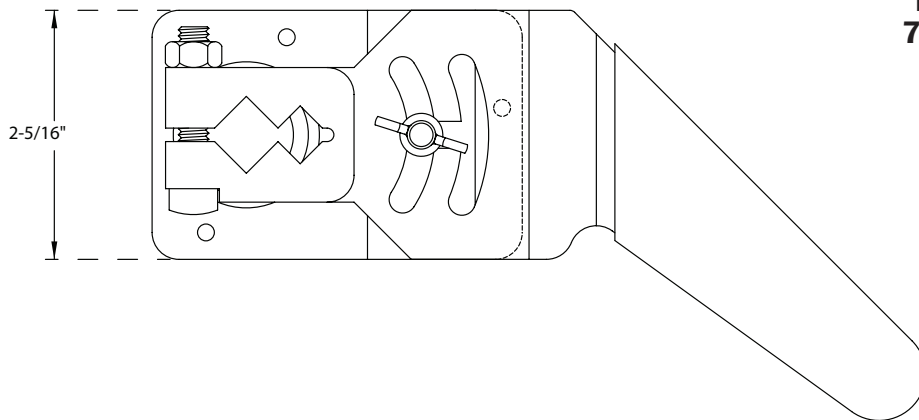


**Submittal Form
 MSRO - UNIVERSAL
 REGULATOR**

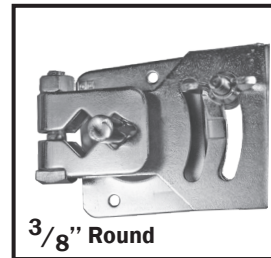
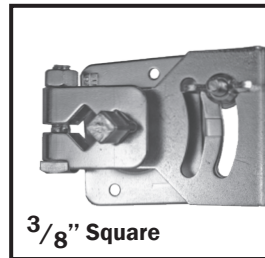
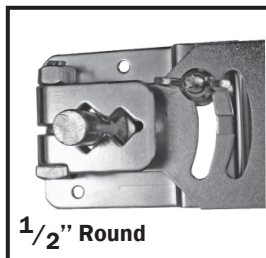
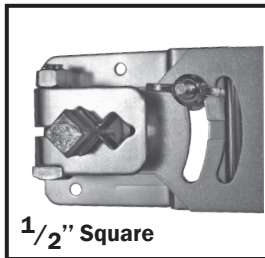
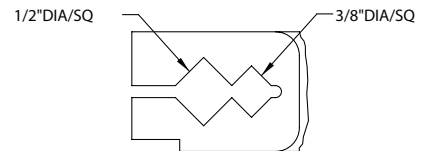
- Universal - one regulator for 3/8" and 1/2"; round or square rods.
- Clamp on handle for snug and rattle free fit to bearing or rod.
- Unique "quick set up" handle allows shift from 1/2" to 3/8" without disassembling the regulator.
- **Shaft loc** mechanism to eliminate rattle
- High visibility handle; shows damper direction.
- Heavy gauge, zinc plated steel.
- Optional Seal Kit - available for low leakage applications.



**Patent #
 7,472,699**



BEARING SIZE REQUIREMENT DETAIL



UNIVERSAL REGULATOR			
ITEM#	CODE	DESCRIPTION	QUANTITY
8270	MSR03812	3/8 & 1/2" Multisize Regulator Only	10 Per Ctn
8328	MSRO304SS	304 Stainless Multisize Regulator Only	10 Per Ctn

Duro Dyne East Division, Bay Shore, NY
 Duro Dyne Midwest Division, Hamilton, OH
 Duro Dyne West Division, Fontana, CA
 Duro Dyne Canada, Lachine, Quebec, Canada

631-249-9000 Fax: 631-249-8346
 513-870-6000 Fax: 513-870-6005
 562-926-1774 Fax: 562-926-5778
 514-422-9760 Fax: 514-636-0328

www.durodyne.com E-mail: durodyne@durodyne.com



©2018 Duro Dyne Corporation
 Printed in USA 7/18
 B0008431